

PERFECT LIGHTING
ATMOSPHERE
FOR YOUR
SMART HOME

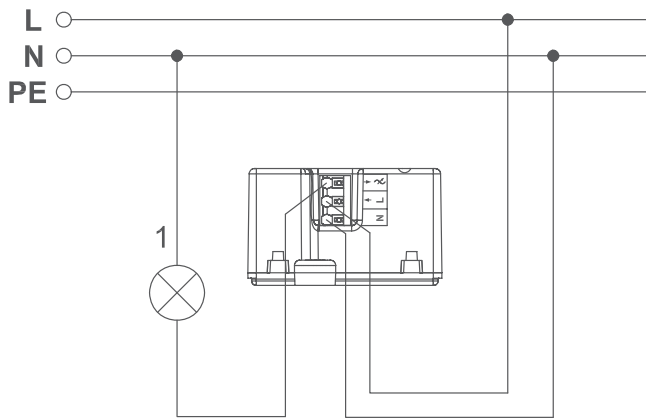
Dimming Actuator flush-mount – trailing edge

HmIP-FDT

The Homematic IP Dimming Actuator offers intelligent control of dimmable luminaries. The invisible solution for flush-mounted installation can be easily retrofitted. Suitable illuminants can thus be dimmed and switched on or off at any time via radio using a wall-mounted push-button, automatically via time profile using the smartphone app or conveniently using voice control.



homematic ^{IP}
Smart Living, Simply Exciting.



For installation, a neutral conductor is required.

SMART CONTROL AND DIMMING OF LIGHTS

Almost infinitely variable dimming and switching of the connected lights provides for the ideal lighting atmosphere in the smart home. The dimming value can be set individually via the Homematic IP app.

The device is flexibly controlled via smartphone, remote control, motion detector or comfortably via voice command.

The lighting can also be switched on and off or dimmed automatically at the time you like using adjustable time profiles.

QUIET AND UNIVERSAL

Compared to some older dimmers, the modern electronics of the trailing-edge dimming actuator allows operation without any noise emission. In addition, the dimming actuator can be used for a variety of modern light sources (even for particularly small loads):

- ✓ Dimmable LEDs
- ✓ Dimmable energy-saving lamps
- ✓ Classic incandescent lamps
- ✓ HV halogen lamps
- ✓ NV halogen lamps with electronic transformer

SMART WAY TO WAKE UP

Start relaxed into the day: Dimmable lights can slowly be switched on automatically, at sunrise or any desired time.

"ALEXA, TURN OFF THE LIGHTS!"

The pluggable dimmer can even be operated conveniently from the sofa – simply by voice control using Amazon Alexa or Google Assistant.

INVISIBLE INSTALLATION

Compact design for easy installation in flush-mounting boxes. The screwless terminals enable easy and secure wiring.

Alternatively, installation in surface-mounted distribution boxes (e.g. ELS Spelsberg Abox 25) in cellars or in protected outdoor areas is also possible.

TECHNICAL SPECIFICATIONS

Supply voltage	230 V/50 Hz
Current consumption	0.35 A max.
Standby power consumption	0.4 W
Max. switching capacity	80 VA
Minimum load	3 VA
Load type	ohmic and capacitive lamp load
Dimming method	reverse phase control
Cable type and cross section	rigid and flexible cable, 0.75-1.5 mm ²
Installation	only in switch boxes (device boxes) in accordance with DIN 49073-1 or surface-mounting boxes in accordance with DIN 60670-1 (e.g. Abox 025 or Abox 040)
Degree of protection	IP20
Ambient temperature	-10 to +55 °C
Dimensions (W x H x D)	54 x 33 x 41 mm
Weight	31 g
Radio frequency band	868.0-868.6 MHz 869.4-869.65 MHz
Typ. open area RF range	180 m

To enable operation, the device has to be connected with one of the following solutions:

- Homematic IP Access Point with free smartphone app and free cloud service
- Central Control Unit CCU2/CCU3 with the local user interface WebUI
- Third-party solutions of partners

LOGISTICAL DATA

Product reference	150609A0
EAN code	4047976506095
Short description	HmlP-FDT
Packing unit	90
Packing dimensions	122 x 112 x 48 mm
Weight incl. packaging	117.4 g

PACKAGE CONTENTS

Homematic IP Pluggable Dimmer flush-mount – trailing edge
User manual