

A COMFORTABLE HOME
AND SECURITY THANKS
TO INTELLIGENT BLIND
AND SHUTTER CONTROL

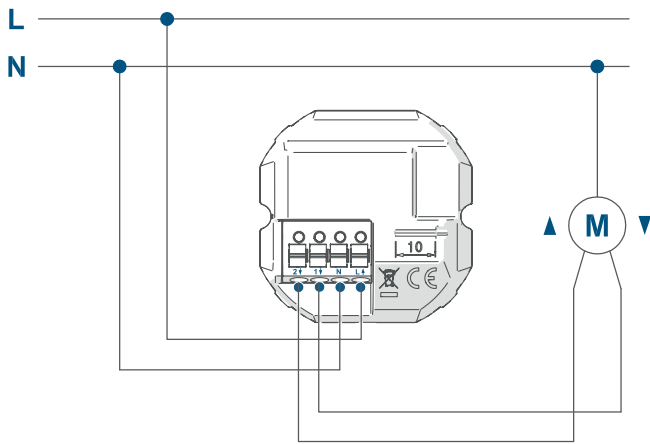
Blind Actuator for Brand Switches – International

HmIP-BBL-I

The blind and shutter actuator for brand switches – international from Homematic IP makes control of electrical blinds and shutters smart. The invisible flush-mounted solution can be flexibly retrofitted. This means that existing switch series can simply continue to be used. The blinds can then be conveniently controlled via your smartphone, fully-automatically via a time profile or in the usual way with buttons.



homematic 
Smart living, simply comfortable



A neutral conductor is required for installation

SMART CONTROL ROUND THE CLOCK

With adjustable time profiles, Venetian blinds, external Venetian blinds shutters or awnings go up or down automatically to adapt to the residents' daily routines or weather conditions. In the case of Venetian blinds and external Venetian blinds, the desired slat position can also be set exactly.

Control is flexible, by means of a smart phone, a wireless push-button or remote control, using the existing switch series or conveniently by means of voice control.

SHUTTER CONTROL ACCORDING TO THE SUN'S POSITION

Whether it's for a relaxed wake-up in the morning or securing the home at dusk: Blinds or shutters can be

Operation requires connection to one of the following solutions:

- Homematic IP access point with free smartphone app and free cloud service
- Third-party partner solutions

TECHNICAL SPECIFICATIONS

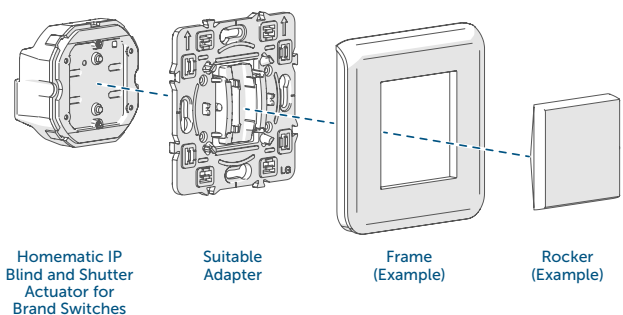
Supply voltage	230 V/50 Hz
Current consumption	2.2 A max.
Power consumption in standby	0.2 W
Max. switching capacity	500 VA
Load type	motor load
Relay	1x NO contact, 1x changeover contact
Cable type and cross section	rigid and flexible cable, 0.75-1.5 mm ²
Degree of protection	IP20
Installation	only in Legrand Batibox-type switch boxes conforming to DIN 49073-1, and Agro flush-mounted back boxes
Ambient temperature	-5 to +40 °C
Dimensions (W x H x D)	52 x 52 x 31 mm
Weight	55 g
Radio frequency band	868.0-868.6 MHz 869.4-869.65 MHz
Typical Range in open space	175 m

controlled automatically to coincide with the sunrise and sunset. Thanks to automatic shading, intelligent thermal protection prevents rooms being overheated in summer.

INSTALLED CONCEALED IN THE EXISTING DESIGN

Integration into existing switch series is very easy by using the existing frames and rockers. With a corresponding adapter*, the blind and shutter actuator can be integrated into many leading manufacturers' (e.g. Legrand, Schneider Electric and Feller) popular switch series. An overview of the compatible manufacturers is available at www.homematic-ip.com.

*Adapter must be purchased separately



GREATER SECURITY

Automatic lowering when darkness falls or when you are not at home secures windows and doors and can also suggest that you are in.

SIMPLE TO INSTALL

Easy to install with automatic calibration drive via the app. Compact design for installation in standard flush-mounted boxes. Suitable for all standard tube motors.

FLEXIBLE OPERATION

- ✓ Directly via the existing switch series
- ✓ Wirelessly using Homematic IP push-buttons, or remote controls or motion detectors
- ✓ At any time via the Homematic IP app
- ✓ Via adjustable time profiles to automatic switch the lighting on or off at the desired time
- ✓ Easy operation via voice control (using Amazon Alexa or Google Assistant)

LOGISTICS DATA

Product reference	158682A0
EAN code	4047976586820
Short description	HmlIP-BBL-I
Packing unit	90
Packing dimensions	122 x 112 x 48
Weight incl. packaging	144,1 g

PACKAGE CONTENTS

Homematic IP Blind and Shutter Actuator for Brand Switches – International Operating manual